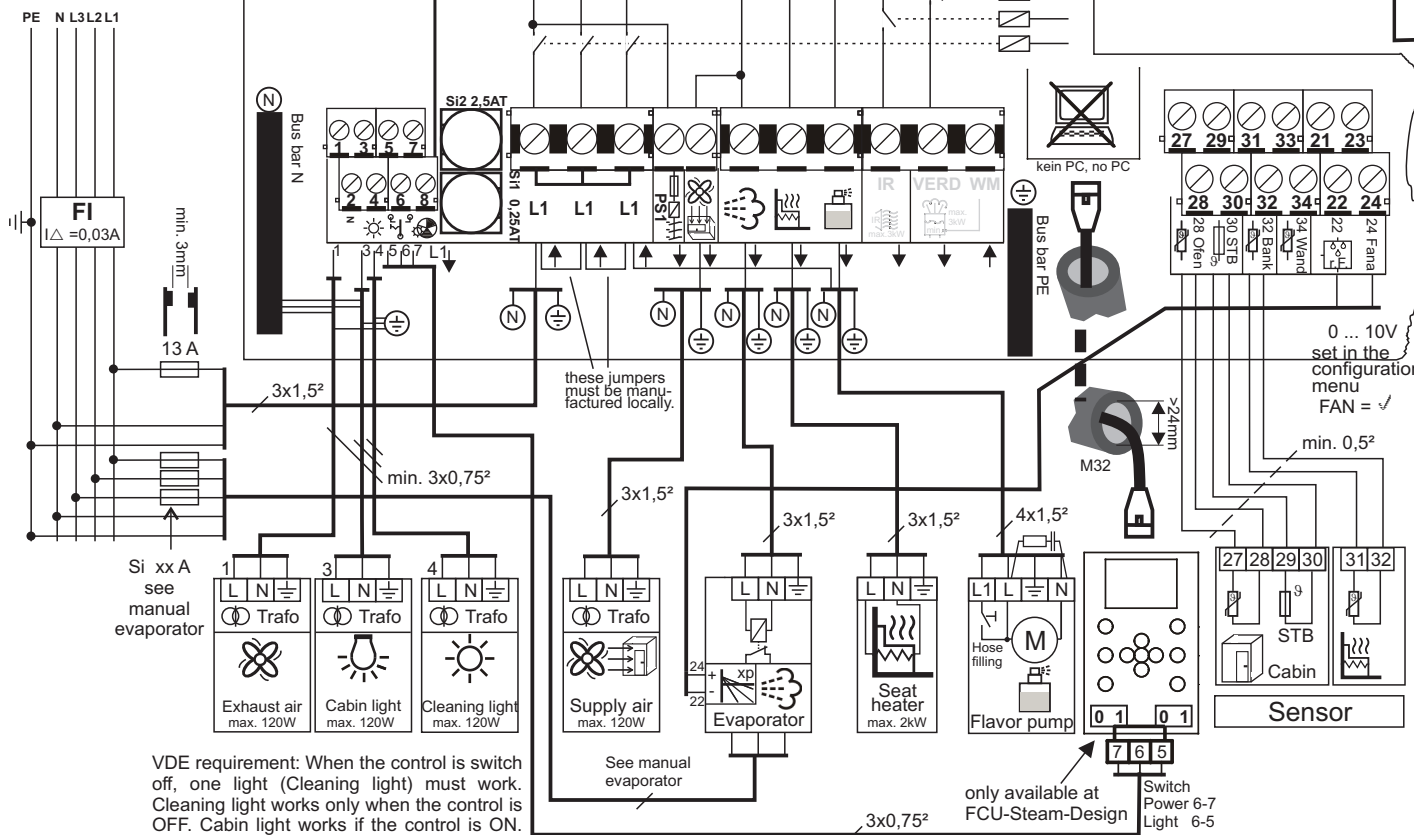
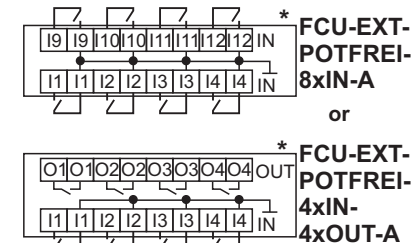


**! Danger:**  
Before starting any maintenance jobs, the control and the extension power unit must be separated from the mains at all poles!

NETZ / mains  
400V 3N AC 50Hz



VDE requirement: When the control is switch off, one light (Cleaning light) must work. Cleaning light works only when the control is OFF. Cabin light works if the control is ON.



\* see documents corresponding option

**Note:** All the cables, which lead to the cabin must be designed for a max. temperature of 150°C!

**2 in mm<sup>2</sup>** All cross-sections are designed for copper wires!  
At AL-wires increase accordingly the cross-section!

Because of cable length, installation or special instructions the cross-section may increase!

- Ⓝ all N-cables on bus bar N
- Ⓧ all PE-cables on bus bar PE

**Light and fan:**  
At the dimmable outputs of light and fan, only 230V consumer, or for low voltage iron core transformer which are suitable for phase cut **on**, will be permitted. Electronic transformer for phase cut **off** may not be connected.

## Connection diagram for FCU-Steam and FCU-Steam-Design

created:	changed:	An_FCUxxxx.cdr	Technical changes reserved
Schmalz	Kanzinger	file name:	
01.2010	11.2018	An-FCUxxxx-Steam_EN.pdf	