

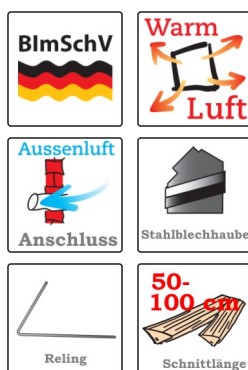
BRUNNER FIREPLACES



Architektur-Eck 53/121/50

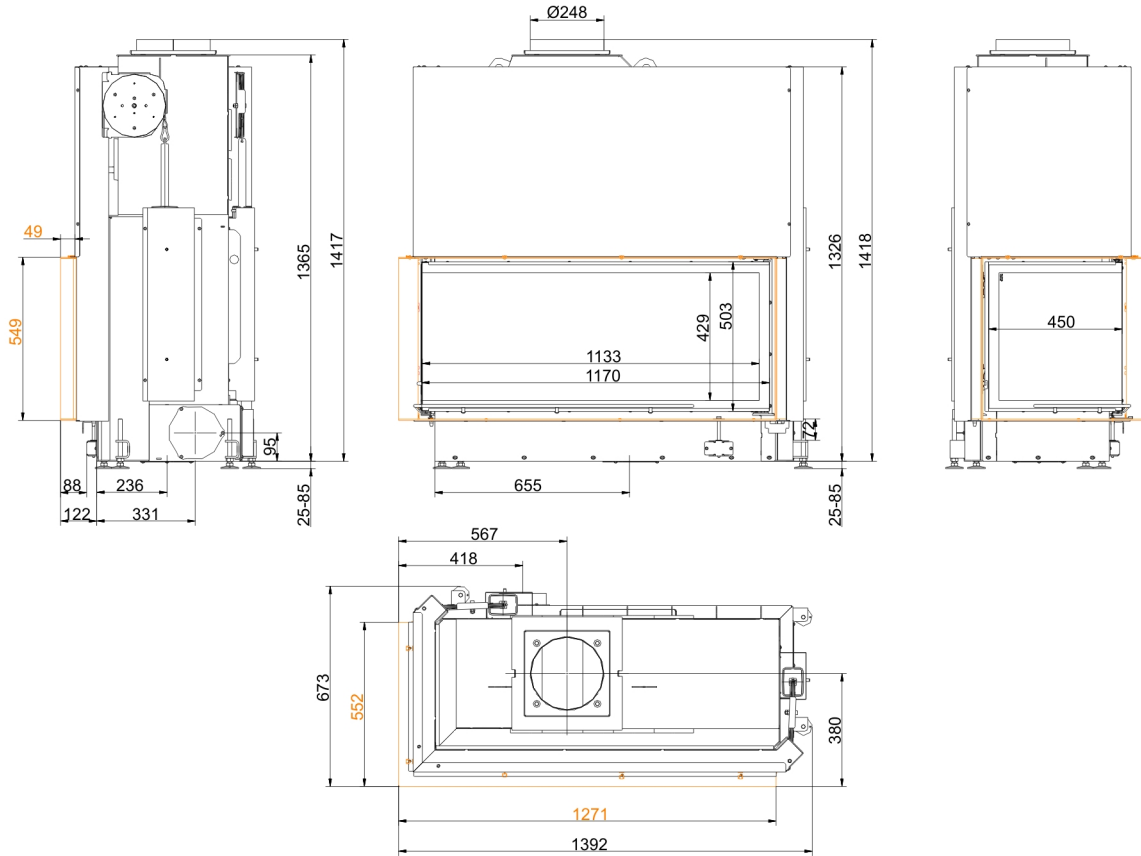
lifting door (easy-lift)

State: 2018-01-24

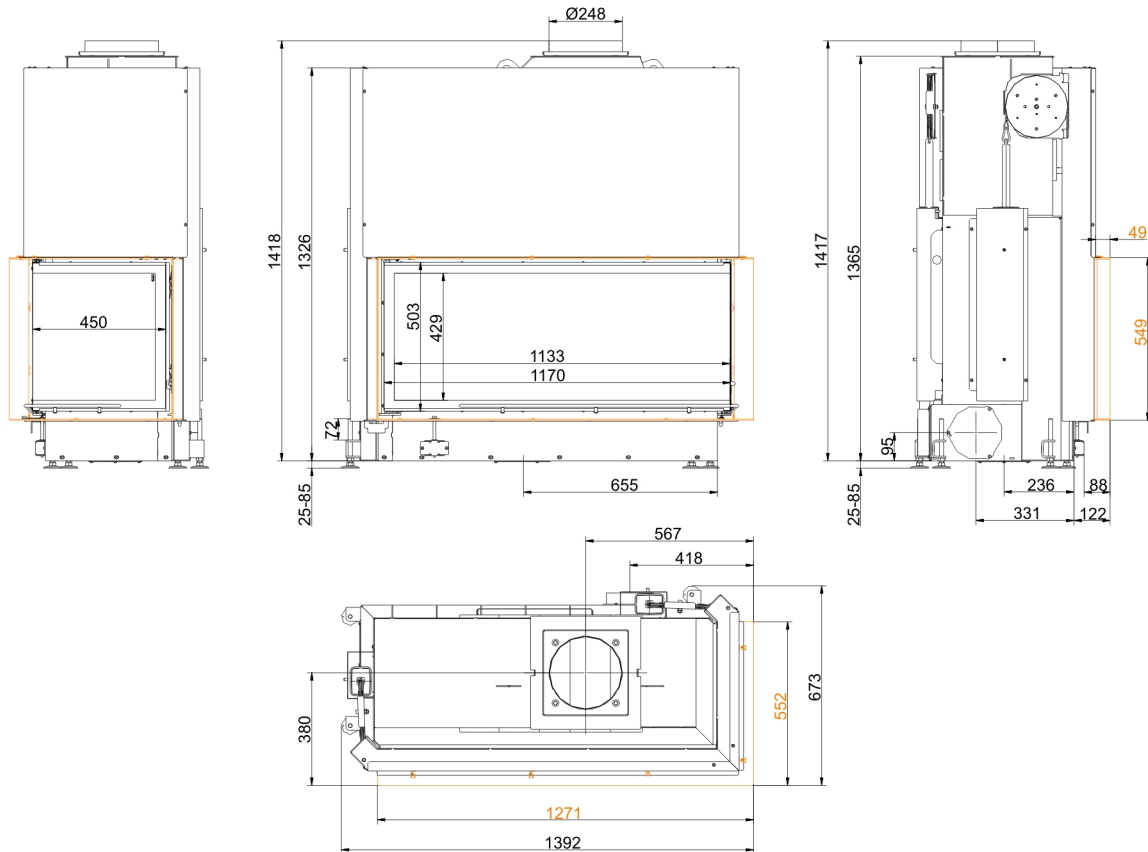


BRUNNER[®]
made in germany.

Dimension sheets - Architektur-Eck 53/121/50 lifting door (easy-lift)

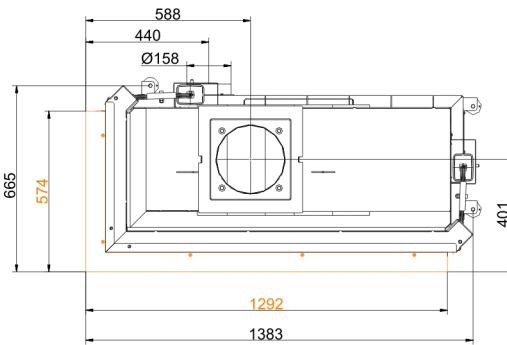
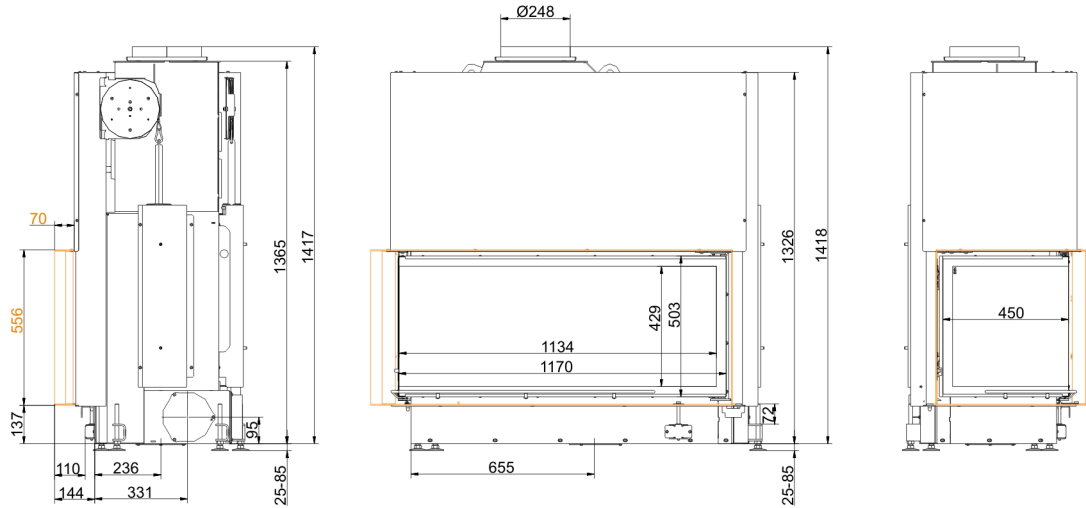


... left with mounting frame 50 mm

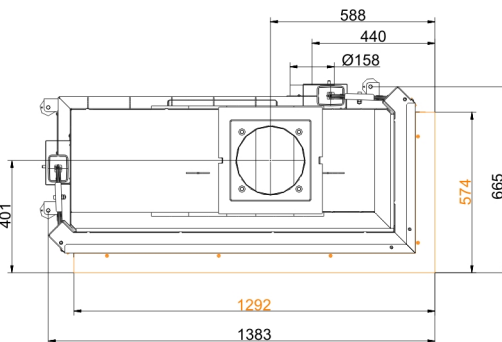
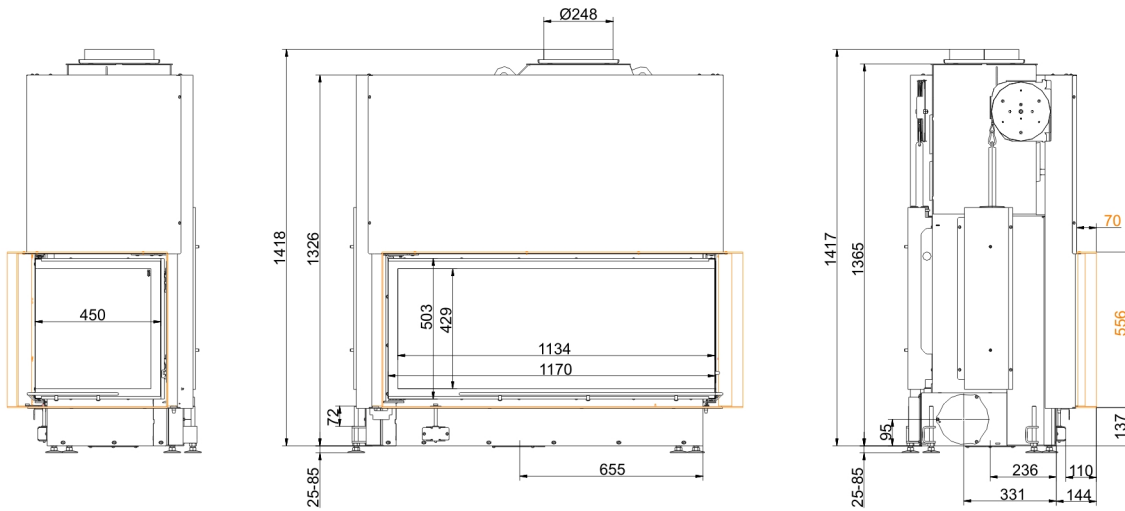


... right with mounting frame 50 mm

Dimension sheets - Architektur-Eck 53/121/50 lifting door (easy-lift)



... left with mounting frame 70 mm



... right with mounting frame 70 mm

We suggest for CAD planing Palette CAD. Permanent updated drawings: www.brunner.de
 Frames / front versions are marked colored.

Planning and installation - Architektur-Eck 53/121/50 lifting door (easy-lift)

Tested according to		EN 13229 W	EN 13229 W
Values measured at		Rated capacity	Open
Suitable for all construction types according to rules		OK	OK
EEL		102.9	102.9
Data for functional demonstration			
Rated heat power	kW	14.5	-
Fire wood volume	kg/h	4.3	4.3
Combustion performance	kW	18	18
Flue gas mass flow	g/s	18	120
Flue gas temperature after:			
attached steel smoke hood	°C	190	105
Necessary supply pressure	Pa	12	6
Combustion air consumption	m ³ /h	60	250
Combustion air connection Ø	mm	160	-
Heat distribution			
Insert / heat accumulator	%	55 / -	-
Glass pane (single / double)	%	45 / -	-
Cross-section of gratings ¹⁾			
Supply air	cm ²	1100 / 100 / -	-
Warm air	cm ²	1100 / 100 / -	-
Minimal oven surface for closed construction type			
Heat dissipating surface	m ²	6.4	-
Minimal distances of the fireplace			
to insulation layer	cm	8	8
to mounting floor	cm	2	2
Thermal insulation without / with air gratings ²⁾			
Mounting wall	cm	16 / 12	16 / 12
Floor	cm	4 / 4	4 / 4
Ceiling	cm	22 / 16	22 / 16
Brick lining for combustible wall	cm	10	10
Weight			
Fireplace / combustion room	kg	318 / 103	
Meets requirement/limit values for:			
Germany/ Austria / Suisse / Norway		1.BImSchV (Stufe 2) / 15a BVG (2015) / LRV / NS 3059	

1) for fireplace inserts / flue gas pipe / metallic reheating surface

2) Values determined with upper air sections; stove cladding is heat emitting.

Ulrich Brunner GmbH
 Zellhuber Ring 17 - 18
 D-84307 Eggenfeldern
 Telefonat: +49 / (0)87 21 / 7 71-0
 Telefax: +49 / (0)87 21 / 7 71-100
 info@brunner.de | www.brunner.de

BRUNNER®
made in germany.